

## Series 1 Inert isolation solenoid valves

### FEATURES

- 3-way diaphragm valves
- PTFE body and PTFE-insulated lead wires (also uses borosilicate glass wetted parts)
- Offers coils rated for 100 % duty and contained in a nickel-plated steel housing
- Uses low power
- Low internal volume
- Requires no pressure to operate



### MEDIA COMPATIBILITY

Liquids and gases

### WETTED MATERIALS

**Materials contacting media:**  
 PTFE, borosilicate glass

**Body:**  
 PTFE

### PHYSICAL PROPERTIES

Operating environment	10 to 66 °C
Weight (e.g. 3-way, 1/8" NPT body)	77 g
Porting	1/4"-28 threaded ports
Internal volume	68 µl

### ELECTRICAL

Power	2.5, 4.2 W
Voltage	12, 24 V <sub>DC</sub>
Current/Resistance (Ω ±5% @ 21 °C)	
12 V <sub>DC</sub>	211 mA/57 Ω
24 V <sub>DC</sub>	173 mA/139 Ω

# Series 1

## Inert isolation solenoid valves

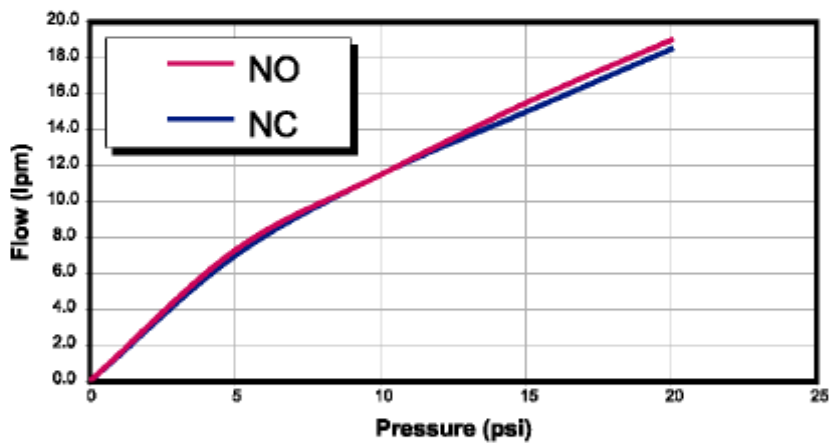
---

### PERFORMANCE CHARACTERISTICS

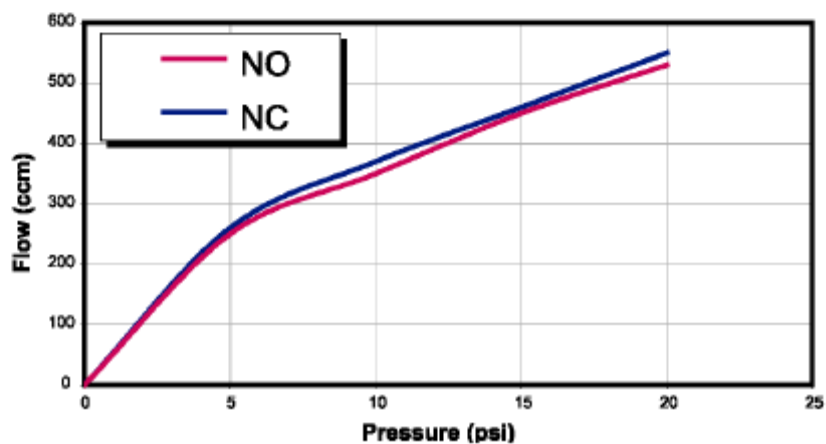
Part no.	Pressure	Orifice sizes	Leak rate	Response
See Ordering Information	Vacuum...1.4 bar (20 psi)	0.060" (1.52 mm)	Bubble tight	20 ms

### FLOW CURVES

#### Air flow, 0.060" orifice



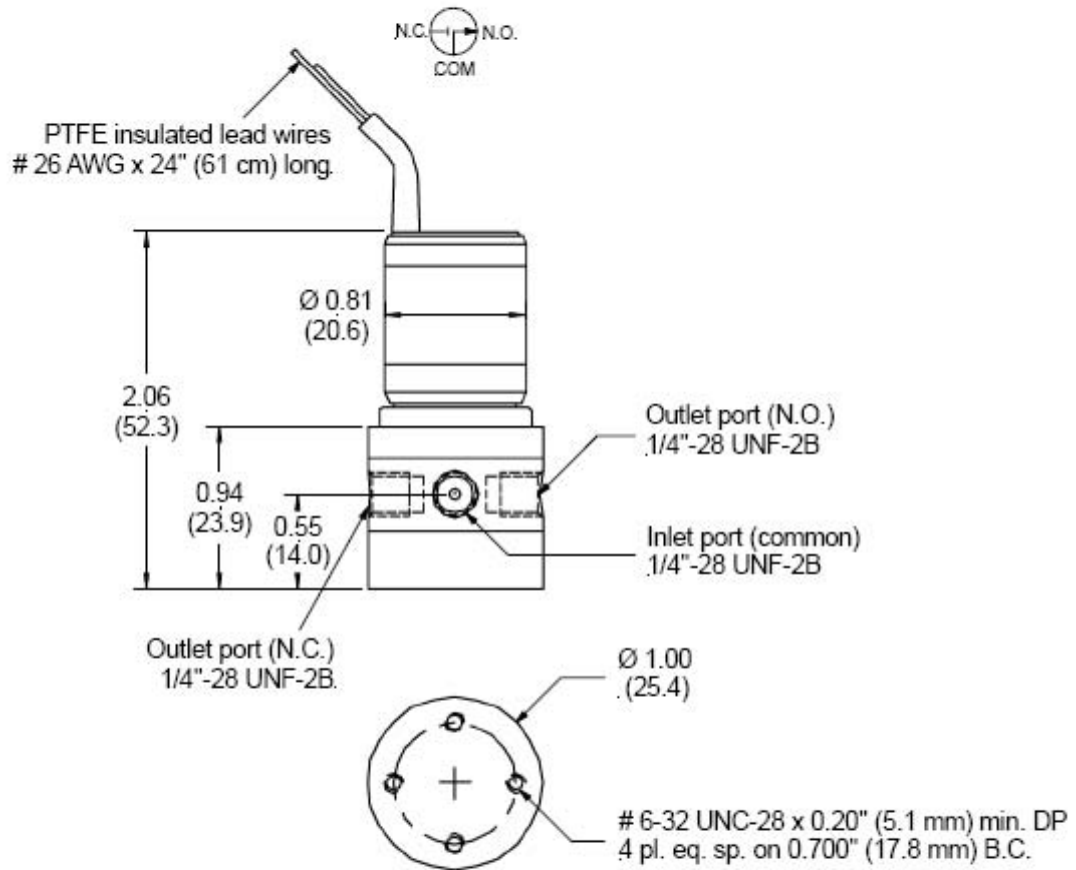
#### Water flow, 0.060" orifice



# Series 1

## Inert isolation solenoid valves

### OUTLINE DRAWING



dimensions in inches (mm)

### ORDERING INFORMATION

Part No.	Type	Operating Pressure	Orifice	Voltage	Porting
001-0017-900	3-way	Vac...1.4 bar (20 psi)	1.52 mm (0.060")	12 V <sub>DC</sub>	1/4"-28
001-0028-900				24 V <sub>DC</sub>	